

THROUGH-HOLE AXIAL CONFORMAL COATED INDUCTORS FALGA0204 SERIES



FEATURES:

Magnetic Core
Wire-wound construction
Heat resistant epoxy resin
High reliability - Ideal for automatic insertion
Small size - Low Cost

OPTIONS:

Packaging: Tape & Reel is Standard
[Qty: 5000 pcs]
Bulk packaging available for smaller quantities
Tolerance: 10% is standard
tighter tolerances available.

COMMON APPLICATIONS:

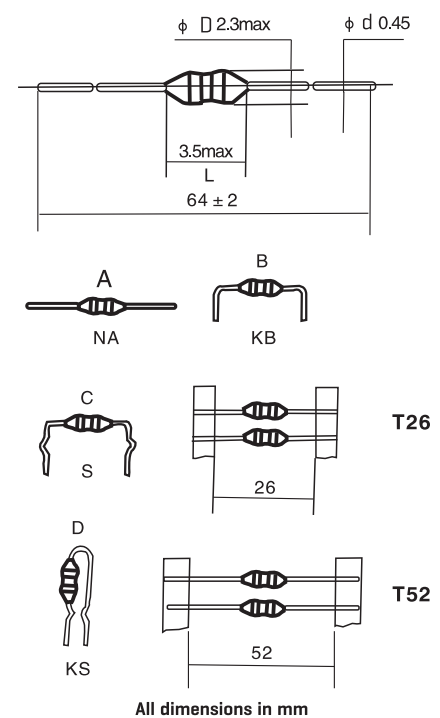
VCRs
Automotive Systems
Computer Peripheral Equipment
Televisions
Electronic Games
Mobile Communications Equipment
General Electronic Applications

STANDARD SPECIFICATIONS

Part Number	L [μH]	Tol ±%	Q min	L Test Freq [MHz]	S.R.F [MHz]	RDC (Ω) Max	IDC [mA]
FALGA0204-R22M	0.22	20	35	25.2	150	0.40	400
FALGA0204-R27M	0.27	20	35	25.2	150	0.43	380
FALGA0204-R33M	0.33	20	35	25.2	150	0.48	370
FALGA0204-R39M	0.39	20	35	25.2	150	0.51	350
FALGA0204-R47M	0.47	20	35	25.2	150	0.56	330
FALGA0204-R56M	0.56	20	35	25.2	150	0.61	320
FALGA0204-R68M	0.68	20	35	25.2	150	0.67	310
FALGA0204-R82M	0.82	20	35	25.2	150	0.74	290
FALGA0204-1R0M	1.0	20	35	25.2	150	0.80	270
FALGA0204-1R2M	1.2	20	40	7.96	110	0.90	260
FALGA0204-1R5M	1.5	20	40	7.96	80	1.0	250
FALGA0204-1R8M	1.8	20	40	7.96	60	1.1	240
FALGA0204-2R2M	2.2	20	40	7.96	45	1.2	230
FALGA0204-2R7M	2.7	20	40	7.96	40	1.3	220
FALGA0204-3R3K	3.3	10	40	7.96	38	1.4	210
FALGA0204-3R9K	3.9	10	40	7.96	35	1.5	200
FALGA0204-4R7K	4.7	10	40	7.96	32	1.6	190
FALGA0204-5R6K	5.6	10	40	7.96	30	1.7	180
FALGA0204-6R8K	6.8	10	40	7.96	28	1.9	175
FALGA0204-8R2K	8.2	10	40	7.96	26	2.0	165
FALGA0204-100K	10	10	40	7.96	24	2.2	160
FALGA0204-120K	12	10	40	25.2	22	2.5	150
FALGA0204-150K	15	10	40	25.2	20	2.8	145
FALGA0204-180K	18	10	40	25.2	18	3.1	140
FALGA0204-220K	22	10	40	25.2	17	3.4	130
FALGA0204-270K	27	10	40	25.2	16	4.3	80
FALGA0204-330K	33	10	40	25.2	14	4.7	76
FALGA0204-390K	39	10	40	25.2	13	5.2	74
FALGA0204-470K	47	10	40	25.2	12	5.8	70
FALGA0204-560K	56	10	40	25.2	11	6.4	68
FALGA0204-680K	68	10	40	25.2	10	7.2	64
FALGA0204-820K	82	10	40	25.2	9.5	11	46
FALGA0204-101K	100	10	40	25.2	9	12	44
FALGA0204-121K	120	10	40	0.796	8	13	42
FALGA0204-151K	150	10	40	0.796	6	16	39
FALGA0204-181K	180	10	40	0.796	5.5	18	37
FALGA0204-221K	220	10	40	0.796	5	20	35
FALGA0204-271K	220	10	40	0.796	4.6	26	28
FALGA0204-331K	220	10	40	0.796	4.2	30	26
FALGA0204-391K	220	10	40	0.796	3.8	34	25
FALGA0204-471K	220	10	40	0.796	3.5	38	24

Note: 1. K=±10%, M=±20%

PHYSICAL CHARACTERISTICS



TECHNICAL INFORMATION

1- Ordering Cod

FALGA 04 10 KB - 101 K T52
 (1) (2) (3) (4) (5) (6) (7)

- [1] Type
 [2] Outside
 [3] Body Length
 [4] Formed Type
 [5] Nominal Inductance
 [6] Inductance Tolerance
 [7] Tape Type

Testing: [Equivalent acceptable]

Inductance- Hp 4285A

RDC: QuadTech 1880 Milliohm meter

Q-HP 4342A

SRF-HP 4191A

IDC Max: The maximum DC value having inductance decrease within 10% and temperature increase within 20°C by the application of DC Bias

Operating temperature: -25°C to +105°C

Storage temperature: -40°C to +85

Solderability: Temperature @ 230°C ±5°C for 2 seconds

Marking: EIA 4 band color code

Note: All specifications subject to change without notice.