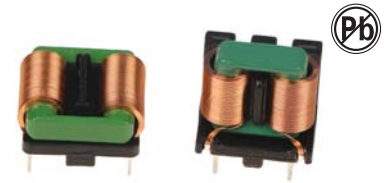


FRAME CORE CHOKES FACCF12V&H SERIES



FEATURES:

Small size, Low leakage flux due to 0 SQ core.
Low stray capacitance, High attenuation of a wide frequency band.
There is no danger of the layer short for the single-layer rolling.
High attenuation to the normal mode noise.
Winding time 90% down.
High inductance was achieved by the ferrite mixing and the baking technology that developed originally.

SPECIFICATION:

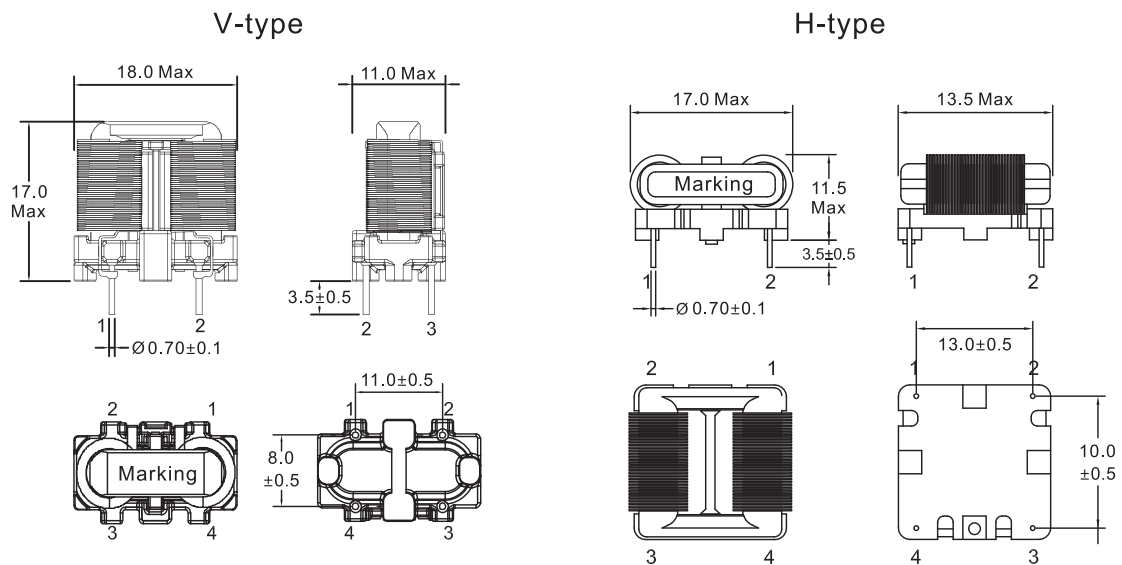
Rated Voltage: AC/DC 2.50V.
Operating Temperature Range: -40°C ~ 120°C
Withstanding Voltage: AC 2000V 60sec or AC 2400V
1 ~ 2sec [LINE to LINE].
Insulation Resistance: DC 500V, 100Mohm Min
[LINE to LINE].
Temperature Rise: 40°C Max. at Rated Current.

ELECTRICAL CHARACTERISTICS

Part Number		Inductance [mH]Min	Rated current [A]Max	Power Range [W]
FACCF12V-253YOR5	FACCF12H-253YOR5	25	0.50	40
FACCF12V-223YOR6	FACCF12H-223YOR6	22	0.60	48
FACCF12V-183YOR65	FACCF12H-183YOR65	18	0.65	52
FACCF12V-153YOR7	FACCF12H-153YOR7	15	0.70	56
FACCF12V-103YOR75	FACCF12H-103YOR75	10	0.75	60

Rated Inductance LRM measured at 1KHz, 250mV, 20°C

TECHNICAL INFORMATION



DIMENSIONS:mm