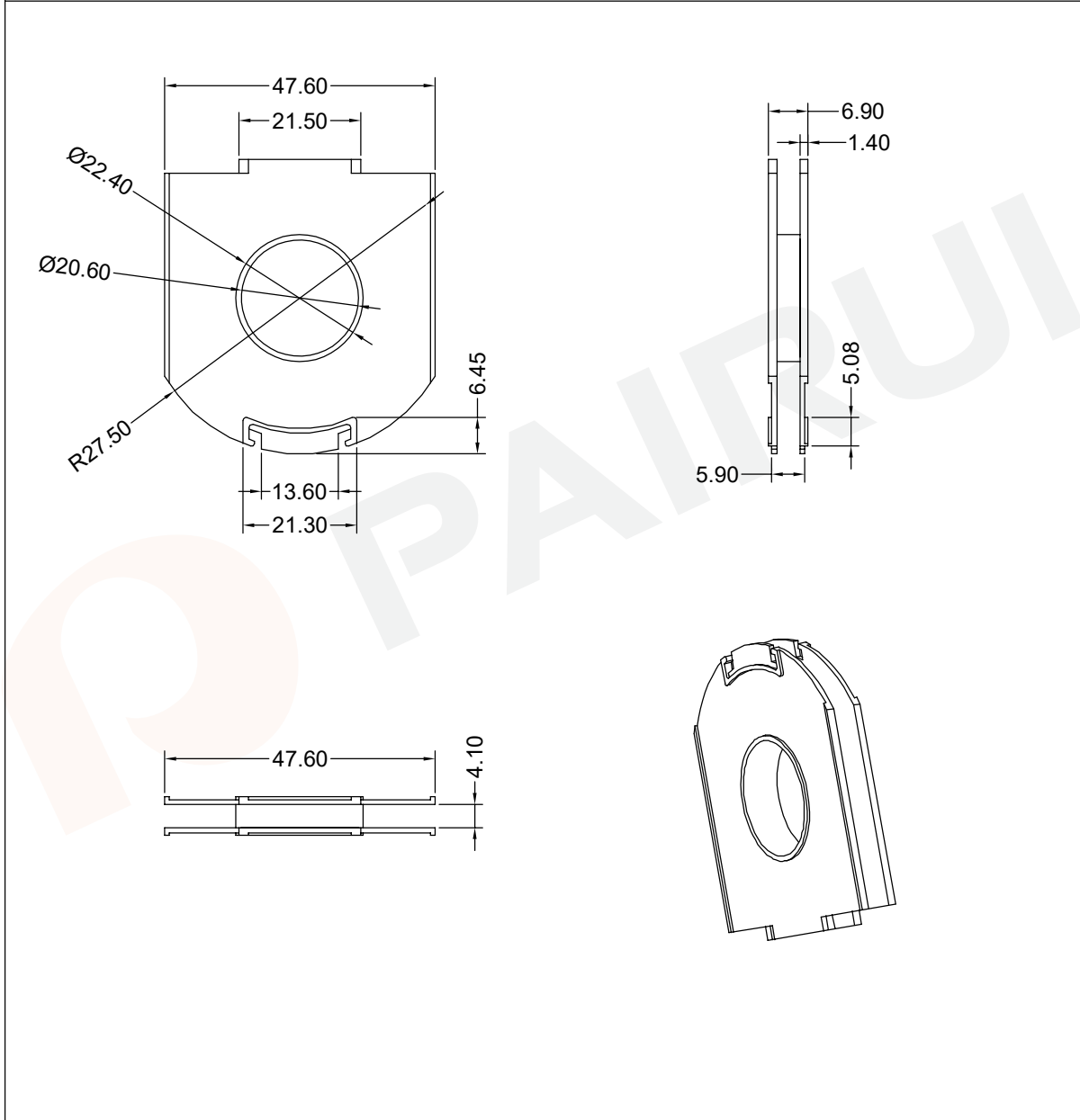


COIL FORMER
General data ER63 coil former

PARAMETER	SPECIFICATION
Coil former material	Polyethylene terephthalate (PET), glass-reinforced, flame retardant in accordance with "UL 94V-0"; UL file number E41938
Pin material	copper-tin alloy (CuSn), tin (Sn) plated
Maximum operating temperature	155°C, "IEC 60085", class F
Resistance to soldering heat	"IEC 60068-2-20", Part 2, Test Tb, method 1B, 350 °C, 3.5 s
Soldeerability	"IEC 60068-2-20", Part 2, Test Ta, method 1



Tolerances unless otherwise specified: $0 < L \leq 4 \pm 0.10$ $4 < L \leq 16 \pm 0.20$ $16 < L \leq 45 \pm 0.30$ $45 \leq L \pm 0.40$ Pin Dim: ± 0.05 Thickness: ± 0.20 Pin Pitch: ± 0.20	Dimensions: (mm)	TYPE NUMBER: ER-6301-1S-0P		
		Mould No.: ER6301	Bobbin material: FR530	
		Code No.: FAY01091	Available for Fuan core:	
PAIRUI Fuan Electronics TEL :0086-514-87693589 EML :sales@fuantronics.net WEB:www.fuantronics.net		Make: P.Xiao	Material Number: A47630100000	
		Checked: Beson. zhan	Document/Rev: 00	
		Approved: Anson. zhan	Date of Recognition: Oct./22/2019	