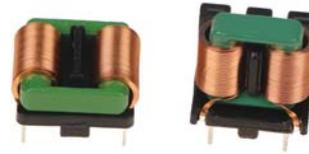




FRAME CORE CHOKES FACCF24V&H SERIES



FEATURES:

Small size, Low leakage flux due to D SQ core.
Low stray capacitance, High attenuation of a wide frequency band.
There is no danger of the layer short for the single-layer rolling.
High attenuation to the normal mode noise.
Winding time 90% down.
High inductance was achieved by the ferrite mixing and the baking technology that developed originally.

SPECIFICATION:

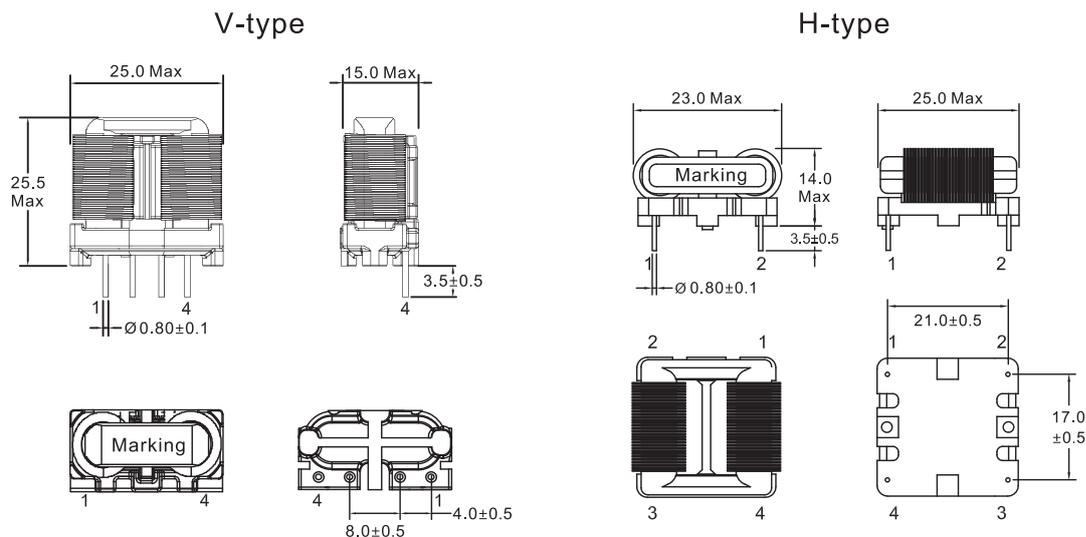
Rated Voltage: AC/DC 250V.
Operating Temperature Range: -40°C ~ 120°C
Withstanding Voltage: AC 2000V 60sec or AC 2400V
1 ~ 2sec [LINE to LINE].
Insulation Resistance: DC 500V, 100Mohm Min
[LINE to LINE].
Temperature Rise: 40°C Max. at Rated Current.

ELECTRICAL CHARACTERISTICS

| Part Number | | Inductance [mH]Min | Rated current [A]Max | Power Range [W] |
|-------------------|-------------------|--------------------|----------------------|-----------------|
| FACCF24V-153Y2R7 | FACCF24H-153Y2R7 | 15 | 2.70 | 216 |
| FACCF24V-103Y3R15 | FACCF24H-103Y3R15 | 10 | 3.15 | 252 |
| FACCF24V-802Y3R6 | FACCF24H-802Y3R6 | 8.0 | 3.60 | 288 |
| FACCF24V-602Y4R5 | FACCF24H-602Y4R5 | 6.0 | 4.50 | 360 |
| FACCF24V-402Y5R4 | FACCF24H-402Y5R4 | 4.0 | 5.40 | 432 |

Rated Inductance LR Measured at 1KHz, 250mV, 20°C

TECHNICAL INFORMATION



DIMENSIONS:mm