

HIGH CURRENT TOROID INDUCTORS FA2414-V&H SERIES



FEATURES:

DC/DC converter, EMI filter applications.
Low radiation.
Low core loss.
Test Frequency Response: 1KHz, 0.3mV.
High current capacity.
Operating temperature: -55°C to +105°C.
Current to cause 30°C Max. temperature rise.

PRODUCT IDENTIFICATION:

$$\frac{2414}{a} \frac{V}{b} \frac{330}{c} \frac{L}{d} \frac{7R4}{e}$$

a: Size

b: V is the vertical form, 'H' is to the horizontal form

c: Inductance Value [101:100uH; 102:1000uH; 103:10000uH]

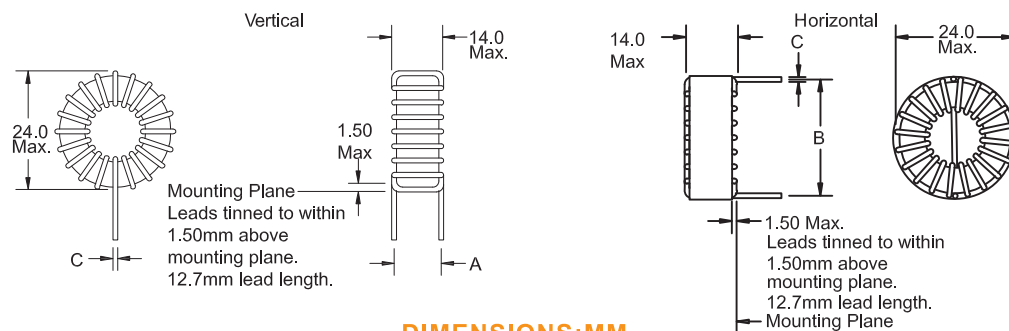
d: Positive and negative tolerances [K:±10%; L:±15%; M:±20%]

e: Rated current [0R2:0.2A; 1R2:1.2A; 10R2:12A]

ELECTRICAL CHARACTERISTICS

Part Number	Inductance [uH] at 20°C	D.C. Resistance [Ω] Typ at 20°C	Rated current [A]	Inductance [uH] @Rated	Dimension A Nom	Dimension B Nom	Dimension C Nom
FA2414-V/H-100L12R5	10	0.005	12.5	7.0	11.68	22.35	1.50
FA2414-V/H-120L12R0	12	0.006	12.0	7.9	11.68	22.35	1.50
FA2414-V/H-150L11R3	15	0.007	11.3	9.6	11.68	22.35	1.50
FA2414-V/H-180L10R8	18	0.008	10.8	11.3	11.68	22.35	1.50
FA2414-V/H-220L10R3	22	0.009	10.3	13.4	11.68	22.35	1.50
FA2414-V/H-270L9R8	27	0.010	9.8	16.0	11.68	22.35	1.40
FA2414-V/H-330L7R4	33	0.012	7.4	21.6	11.43	22.1	1.30
FA2414-V/H-390L7R1	39	0.014	7.1	25.0	11.43	22.1	1.20
FA2414-V/H-470L6R7	47	0.018	6.7	29.3	11.43	22.1	1.10
FA2414-V/H-560L6R4	56	0.022	6.4	34.1	11.43	22.1	1.00
FA2414-V/H-680L4R9	68	0.028	4.9	45.7	11.12	21.8	0.90
FA2414-V/H-101L4R4	100	0.040	4.4	65.0	11.12	21.8	0.90
FA2414-V/H-121L3R3	120	0.045	3.3	86.4	11.12	21.8	0.90
FA2414-V/H-151L3R1	150	0.050	3.1	105	11.12	21.8	0.90
FA2414-V/H-181L3R8	180	0.055	3.8	108	11.12	21.8	0.90
FA2414-V/H-221L3R6	220	0.060	3.6	127	11.12	21.8	0.90
FA2414-V/H-271L3R4	270	0.065	3.4	153	11.12	21.8	0.90
FA2414-V/H-331L3R3	330	0.090	3.3	176	11.12	21.8	0.80
FA2414-V/H-391L2R5	390	0.13	2.5	237	11.12	21.8	0.70
FA2414-V/H-471L2R3	470	0.14	2.3	281	11.12	21.8	0.70
FA2414-V/H-561L2R2	560	0.18	2.2	327	11.12	21.8?	0.65
FA2414-V/H-681L2R1	680	0.22	2.1	387	11.12	21.8	0.60
FA2414-V/H-821L2R0	820	0.25	2.0	453	11.12	21.8	0.60
FA2414-V/H-102L1R9	1000	0.28	1.9	537	11.12	21.8	0.60

TECHNICAL INFORMATION



DIMENSIONS:MM