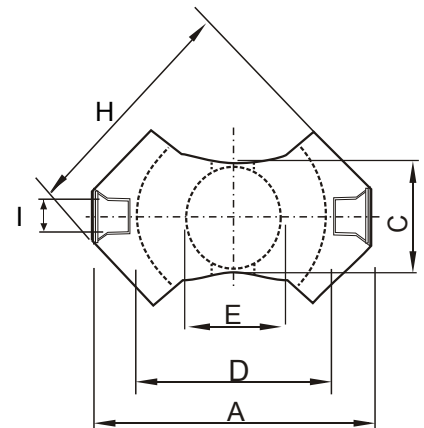
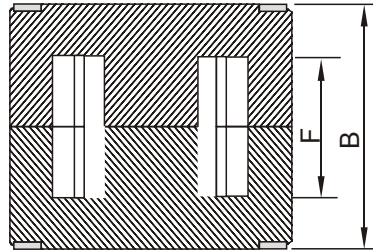


Dimension: (UNIT:mm)

A	10.75 ± 0.25
B	10.4 ± 0.1
C	4.5 ± 0.1
D	8.15 ± 0.2
E	3.8 ± 0.1
F	7.2 ± 0.2
H	9.6 ± 0.2
I	2.5 ± 0.1



Test conditions

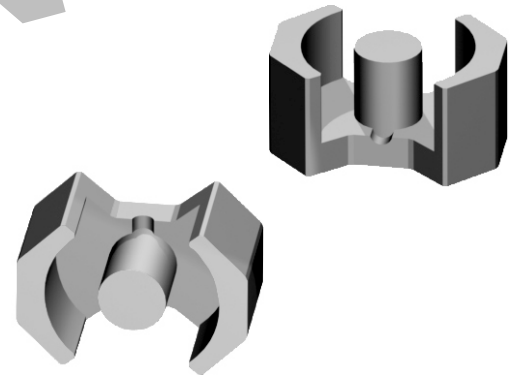
AL: F=10.0KHz U=0.3V N=10Ts

Effective parameter

C1(mm) ⁻¹	Ae(mm ²)	Le(mm)	Ve(mm ³)	Weight(g)
1.69	11.5	23.3	322	≈1.7

Core sets for general purpose transformers and Power applications.

Clamping force for Al measurements, 10+/-5N.



Properties of core sets under power conditions

Grade	AL (nH)	μe	AIR GAP μm	Type number
P3	1125 ± 25%	≈ 1510	≈ 0	RM4-P3
P4	1125 ± 25%	≈ 1510	≈ 0	RM4-P4
HQ2KA	1000 ± 25%	≈ 1340	≈ 0	RM4-HQ2KA
HQ2K	100 ± 3%	≈ 134	≈ 200	RM4-HQ2K
	160 ± 3%	≈ 215	≈ 110	RM4-HQ2K
	250 ± 10%	≈ 336	≈ 60	RM4-HQ2K
	950 ± 25%	≈ 1280	≈ 0	RM4-HQ2K
P5	800 ± 25%	≈ 1080	≈ 0	RM4-P5

Grade	B (mT)at	Core loss (w) at			
	H=250 A/m F=25KHz T=100°C	F=25 KHz B̂=200mT T=100°C	f=100 KHz B̂=100mT T=100°C	F=100 KHz B̂=200mT T=100°C	F=400 KHz B̂=50mT T=100°C
P3	≥ 320	≤ 0.04	≤ 0.04	-	-
P4	≥ 320	-	≤ 0.03	≤ 0.2	-
HQ2KA	≥ 340	-	≤ 0.025	≤ 0.15	≤ 0.07
HQ2K	≥ 300	-	≤ 0.05	-	≤ 0.07
P5	≥ 300	-	-	-	≤ 0.04

Properties of core sets under power conditions (continued)

Core sets of high permeability grades.
Clamping force for Al measurements, 10+/-5N

Grade	AL (nH)	μe	AIR GAP μm	Type number
H10K	3500+40/-30%	≈ 4700	≈ 0	RM4-H10K

Grade	B (mT)at	Core loss (w) at				
	H=250 A/m F=25KHz T=100°C	F=500 KHz B̂=50mT T=100°C	F=500 KHz B̂=100mT T=100°C	F=1.0 MHz B̂=30mT T=100°C	F=1.0 MHz B̂=50mT T=100°C	F=3.0MHz B̂=10mT T=100°C
P3	≥ 320	-	-	-	-	-
P4	≥ 320	-	-	-	-	-
HQ2KA	≥ 340	≤ 0.15	-	-	-	-
HQ2K	≥ 300	-	-	-	-	-
P5	≥ 300	≤ 0.05	≤ 0.4	-	-	-

Note:

- 1: Document is the property of FUAN Inc & is not allow to be duplicated without authorization
- 2: RoHS compliant.