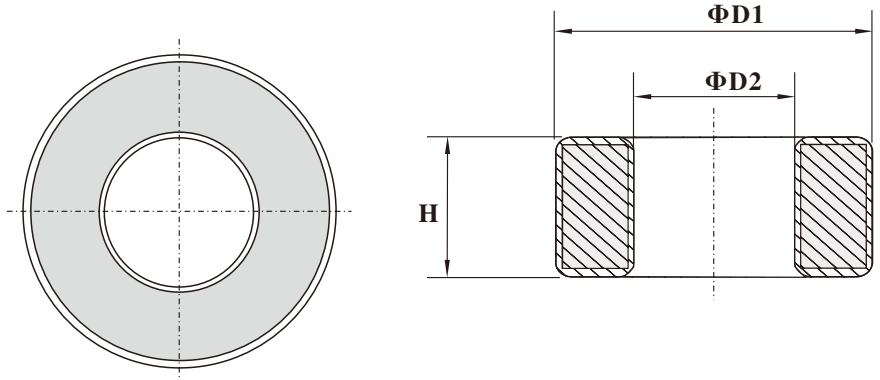


P3 **T29*19*15** **C/P**
Material **Core Size** **Coating**
 材质 品名 涂装

C=Epoxy. P=Parylene.

Dimensions: (UNIT:mm)

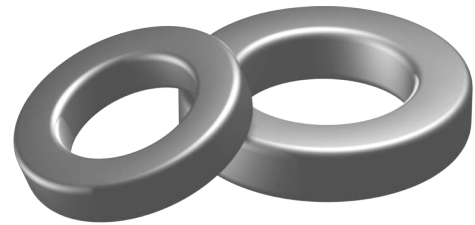
| | | | |
|------------------------------|-----------|-----------|-----------|
| Dimensions(mm) | | | |
| Epoxy Coating Dimensions(mm) | | | |
| ΦD1 | ΦD2 | H | Wt(g/set) |
| 29.0±0.50 | 19.0±0.40 | 15.0±0.30 | 27.5 |
| 30.10 max | 18.05 min | 15.90 max | |



Ferrite core

Test Conditions

AL: F=10.0KHz U=0.3V N=10Ts



Effective parameter

| | | | |
|--|---------|---------|--------|
| | Ve(mm3) | Ae(mm2) | Le(mm) |
| | 5481 | 74.9 | 73.2 |

Coating

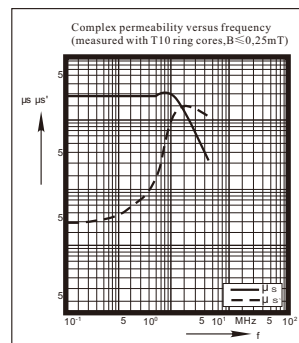
The core are coated with epoxy, flame retardant in accordance with "UL 94V-0" file number E228348. The colour is green.

Ring core data

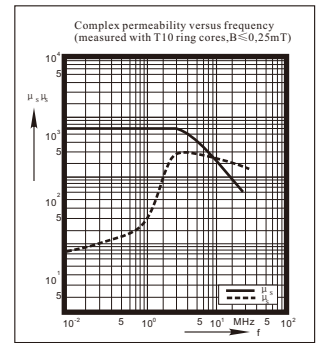
| GRADE | AL(nH) | μi | TYPE NUMBER |
|-------|-----------|--------|----------------|
| P3 | 3100±25% | ≈2300 | T29/19/15/P3 |
| H5K | 6100±25% | ≈5000 | T29/19/15/H5K |
| H7K | 8500±25% | ≈7000 | T29/19/15/H7K |
| H10K | 12800±30% | ≈10000 | T29/19/15/H10K |

Note:

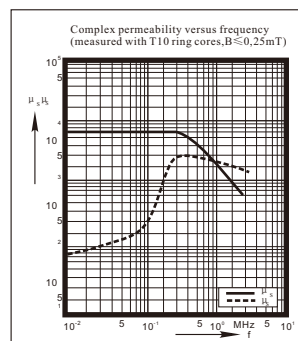
- 1: Document is the property of FUAN Inc & is not allowed to be duplicated without authorization
- 2: RoHS compliant.



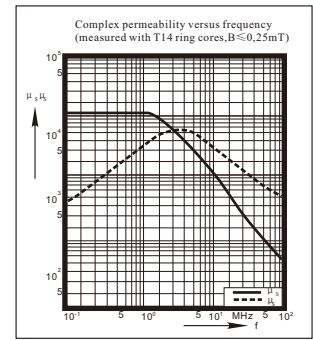
P3



H5K



H7K



H10K