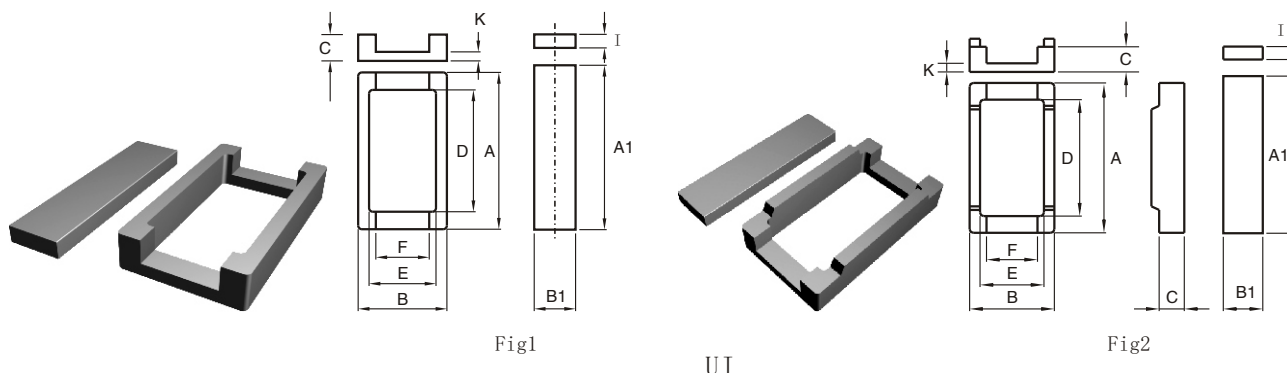


UI TYPE CORES

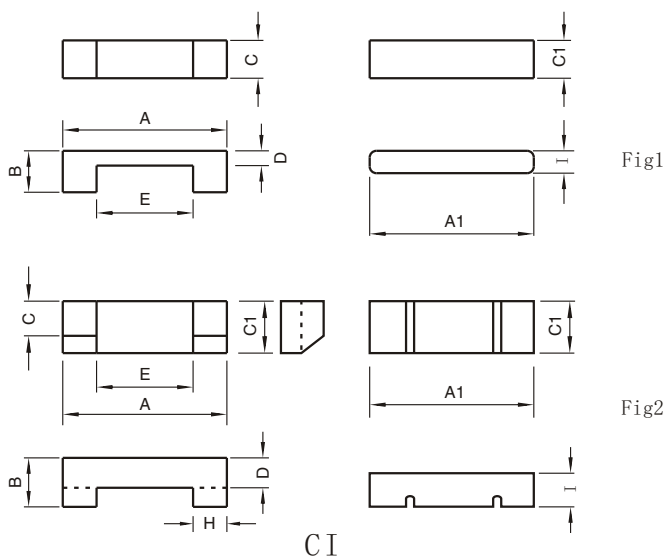
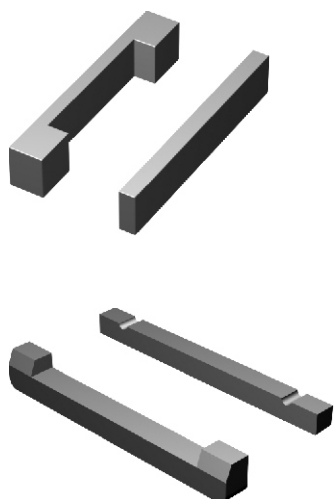


UI TYPE CORES (MATERIALS): P1, P2, P3
 Dimensions & Effective parameter

| CORES TYPE | Dimensions(mm) | | | | | | | | | | |
|------------|----------------|------------|-----------|------------|------------|-----------|-----------|------------|-----------|-----------|-----|
| | A | B | C | D | E | F | K | A1 | B1 | I | Fig |
| UI 7.7 | 19.6±0.25 | 7.70±0.20 | 2.20±0.05 | 17.00±0.20 | 5.90±0.20 | 3.30±0.10 | 1.15±0.05 | 19.90±0.30 | 2.90±0.15 | 1.10±0.06 | 1 |
| UI 8.3 | 27.40±0.30 | 8.30±0.20 | 3.00±0.05 | 22.40±0.30 | 6.50±0.20 | 4.80±0.10 | 1.00±0.05 | 28.30±0.50 | 3.85±0.10 | 1.15±0.08 | 1 |
| UI 8.5 | 25.00±0.30 | 8.50±0.25 | 3.35±0.15 | 20.10±0.30 | 6.30±0.15 | 4.70±0.15 | 1.30±0.15 | 26.00±0.30 | 3.40±0.15 | 1.90±0.15 | 1 |
| UI 9.0 | 23.60±0.30 | 8.80±0.20 | 4.40±0.10 | 19.40±0.20 | 6.80±0.20 | 5.40±0.15 | 1.30±0.15 | 23.80±0.20 | 3.70±0.10 | 2.60±0.06 | 1 |
| UI 9.8A | 23.75±0.30 | 8.80±0.15 | 3.65±0.08 | 19.20±0.20 | 7.30±0.15 | 5.70±0.15 | 1.30±0.15 | 24.30±0.30 | 4.40±0.15 | 2.02±0.06 | 2 |
| UI 9.8B | 23.75±0.30 | 8.80±0.15 | 3.65±0.08 | 19.20±0.20 | 7.30±0.15 | 5.70±0.15 | 1.45±0.07 | 24.30±0.30 | 4.40±0.15 | 2.02±0.06 | 2 |
| UI 10 | 24.00±0.30 | 10.00±0.25 | 3.90±0.10 | 19.00±0.15 | 7.30±0.15 | 5.70±0.15 | 1.20±0.08 | 24.30±0.30 | 4.50±0.15 | 2.27±0.07 | 1 |
| UI 11.7 | 20.70±0.30 | 11.70±0.25 | 3.90±0.10 | 15.00±0.15 | 8.80±0.15 | 7.00±0.15 | 1.30±0.10 | 21.20±0.25 | 5.50±0.17 | 1.90±0.08 | 1 |
| UI 11.7-2 | 20.90±0.30 | 11.70±0.25 | 3.90±0.10 | 16.20±0.15 | 8.80±0.15 | 7.10±0.15 | 1.30±0.10 | 21.60±0.20 | 5.50±0.15 | 1.80±0.06 | 1 |
| UI 14.8 | 19.70±0.30 | 14.8±0.25 | 4.60±0.10 | 15.60±0.25 | 11.40±0.25 | 7.00±0.15 | 1.80±0.05 | 19.90±0.25 | 5.45±0.25 | 2.80±0.06 | 1 |
| UI 15 | 19.70±0.30 | 15.0±0.25 | 3.65±0.08 | 14.25±0.20 | 12.20±0.15 | 9.00±0.15 | 1.75±0.05 | 19.70±0.20 | 5.55±0.25 | 1.85±0.07 | 1 |

| CORES TYPE | Effective Parameter | | | | | Wt(g/set) |
|------------|-----------------------|-------|-------|--------|-----------------|-----------|
| | Cl(mm ⁻¹) | Le | Ae | Ve | AL±25% nH/N^2 | |
| UI7.7 | 10.34 | 40.24 | 3.89 | 156.53 | 20(P3) | 0.84 |
| UI8.3 | 9.33 | 53.60 | 5.19 | 589.00 | 250(P3) | 1.55 |
| UI8.5 | 6.37 | 46.85 | 7.35 | 344.34 | 315(P3) | 1.94 |
| UI 9.0 | 6.23 | 45.63 | 7.20 | 340.5 | 320(P3) | 2.15 |
| UI 9.8A | 5.96 | 44.88 | 7.52 | 337.49 | 360(P3) | 2.33 |
| UI 9.8B | 5.96 | 44.88 | 7.52 | 337.49 | 360(P3) | 2.25 |
| UI 10 | 5.08 | 49.10 | 10.50 | 561.00 | 350(P3) | 2.70 |
| UI 11.7 | 4.83 | 44.50 | 10.00 | 437.00 | 420(P3) | 2.35 |
| UI 11.7-2 | 4.04 | 40.82 | 10.08 | 411.46 | 420(P3) | 2.35 |
| UI 14.8 | 2.52 | 45.60 | 15.53 | 505.00 | 500(P3) | 3.54 |
| UI 15 | 4.60 | 42.50 | 10.50 | 585.00 | 560(P3) | 2.64 |

CI TYPE CORES



CI TYPE CORES (MATERIALS): P1, P2, P3
Dimensions

| CORES TYPE | Dimensions (mm) | | | | | | | | | |
|------------|-----------------|-----------|-----------|-----------|------------|-----------|------------|-----------|-----------|-----|
| | A | B | C | D | E | H | A1 | C1 | I | Fig |
| CI 8 | 26.00±0.25 | 2.20±0.08 | 5.50±0.15 | 0.90±0.08 | 23.60±0.25 | | 26.00±0.25 | 5.50±0.15 | 1.05±0.05 | 1 |
| CI 8.0A | 26.00±0.3 | 2.30±0.05 | 5.50±0.15 | 1.22±0.05 | 23.30min | 1.25±0.05 | 26.00±0.3 | 5.50±0.15 | 1.05±0.05 | 1 |
| CI 8.3 | 28.80±0.3 | 3.60±0.08 | 2.70±0.15 | 2.05±0.10 | 21.60min | 3.40±0.10 | 29.50±0.5 | 3.15±0.15 | 1.75±0.05 | 2 |
| CI 8.5 | 28.80±0.3 | 3.60±0.08 | 3.20±0.10 | 2.35±0.10 | 21.60min | 3.40±0.10 | 29.50±0.5 | 3.50±0.10 | 2.20±0.05 | 2 |
| CI 10 | 23.10±0.3 | 2.30±0.08 | 7.40±0.15 | 1.10±0.08 | 20.30±0.2 | | 23.10±0.3 | 7.40±0.15 | 1.20±0.05 | 1 |
| CI 17 | 22.90±0.3 | 3.70±0.10 | 13.25±0.2 | 2.00±0.15 | 18.90±0.2 | | 22.90±0.3 | 13.25±0.2 | 2.00±0.05 | 1 |
| CI 25 | 24.64±0.3 | 3.45±0.15 | 5.84±0.10 | 1.60±0.05 | 21.46±0.2 | | 25.15±0.3 | 5.84±0.10 | 1.80±0.05 | 1 |

Effective parameter

| CORES TYPE | Effective parameter | | | | | |
|------------|------------------------|-------|-------|--------|------------|-------------------------------|
| | CI (mm ⁻¹) | Le | Ae | Ve | Wt (g/set) | AL±25% μ H/N ² |
| CI 8 | 9.56 | 52.51 | 5.49 | 216.84 | 1.37 | 265 (P3) |
| CI 8.0A | 9.10 | 53.10 | 5.80 | 310.00 | 1.49 | 280 (P3) |
| CI 8.3 | 9.71 | 55.27 | 5.69 | 314.49 | 1.61 | 300 (P3) |
| CI 8.5 | 7.15 | 55.44 | 7.75 | 429.66 | 2.05 | 400 (P3) |
| CI 10 | 6.5 | 48.50 | 7.52 | 585.26 | 1.95 | 380 (P3) |
| CI 17 | 1.79 | 48.19 | 26.90 | 6.20 | 1669.47 | 1392 (P3) |
| CI 25 | 5.30 | 52.25 | 9.86 | 515.18 | 2.56 | 470 (P3) |