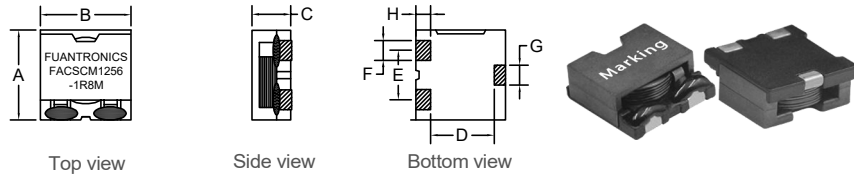


P/N: FACSCM1256-1R8M



Outline Dimensions(Unit:mm)

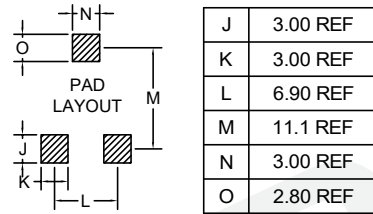


| | A | B | C | D | E | F | G | H |
|-----|------|-------|-------|-----|-----|---------|------|------|
| Max | 13.5 | ±0.40 | ±0.30 | REF | REF | 2.0-2.6 | 2.60 | 2.00 |

Electronical Schematic



Suggested Pad layout



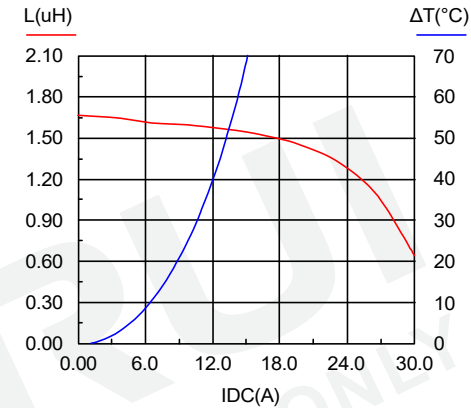
- ***Magnetic shielded structure: excellent resistance to electro magnetic interferenc(EMI).
- ***Assemblage design, sturdy structure.
- ***Small volume, high current, low magnetic loss, low ESR, small parasitic capacitance.
- ***Temperature rise current and saturation current is less influenced by environment.

Electrical Characteristics(@25°C)

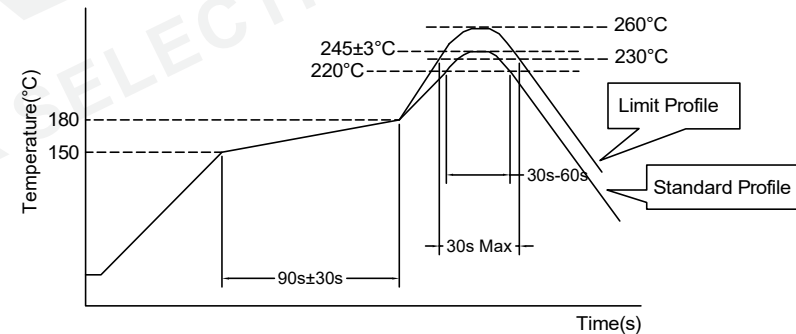
| Inductance 100KHz,0.1V | DC Resistor | Saturated current 20A | Temperature rise current 12A |
|---------------------------|-------------|-----------------------------|------------------------------------|
| 1.80uH±20% | 4.50mΩ Max | L(20A)=80%*L0A Typ | T≤40°C Typ |

- ***Saturation current: the actual value of DC current when the inductance decrease 20% of its initial value.
- ***Temperature rise current: the actual value of DC current when the temperature rise is ΔT40°C(Ta=25°C).
- ***Operating Temperature: -40°C~+125°C. (Temperature rise included)
- ***Storage Temperature: -40°C~+125°C.
- ***Storage Humidity:RH10%~70%.

Saturation current VS temperature rise current curve:



Recommended Soldering Temperature Graph.



| | Standard Profile | Standard Profile |
|------------------|---------------------|---------------------|
| Pre-heating | 150~180°C,90s±30s | |
| Heating | above 220°C,30s-60s | above 240°C,30s Max |
| Peak temperature | 245°C±3°C | 260°C,10s |
| Cycle of reflow | 2 times | |

| | | | | | | | | |
|-----|-------------|------|------|---|---|-----------------------|---|-----------------------------------|
| REV | DESCRIPTION | APPD | DATE | Tianchang Fuan Electronic Co Ltd www.fuantronics.net TEL: +86-550-7814888 FAX: +86-550-7831133 | Tolerances unless otherwise specified: (.X)±0.50 (.XX)±0.25 Unit of measurement: mm | Make: Qiumei.Liu | DRAWING TITLE HIGH CURRENT POWER INDUCTORS | Customer Name: |
| | | | | | | Checked: Beson. zhan | | Material Number: A341256XS020 |
| | | | | | | Approved: Anson. zhan | | Specification Sheet: 1 of 1 |
| | | | | | | | | Date of Recognition: Jan./02/2020 |