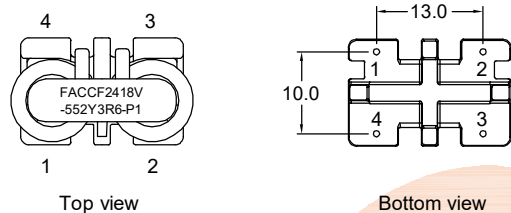
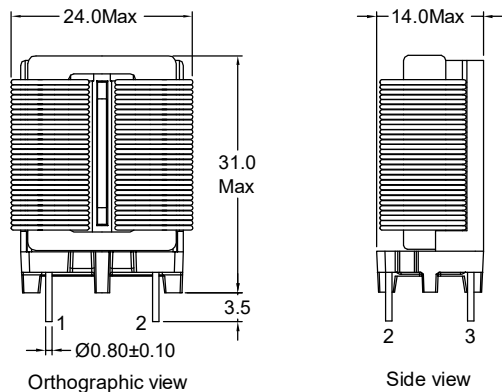
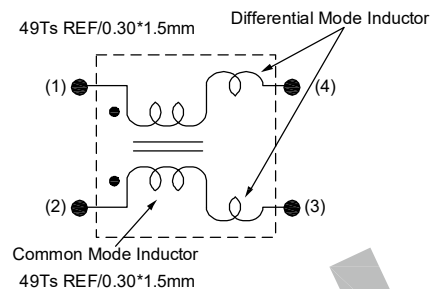


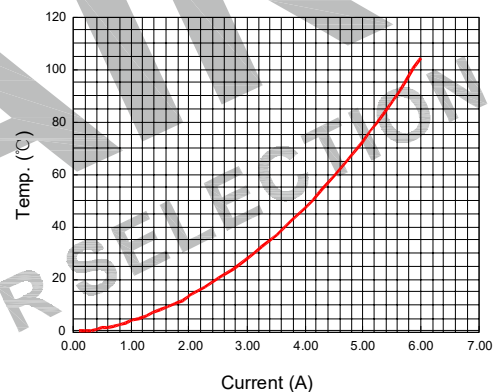
Outline Dimensions(Unit:mm)



Electronical Schematic



Simulation test curve:



Electrical Characteristics(at 25°C)


Inductance : 5.5mH Min,at 1KHz,0.25V.
 Lstray: Lkg=105uH typ,at 1KHz,0.25V.
 Inductance balance : L1-L2= 150uH Max,at 1KHz,0.25V.
 D.C.Resistance: 70.0 mohms Max.
 Rated current: 3.6Amps.
 Turns Ratio : 1:1±0Ts,at 20KHz,1V.
 Hipot : Pri-Sec : 1500VAC/5mA/2Second.

List of UL Certificate:

| Part Name | Mat'l Description | Supplier | UL Number |
|-------------|-------------------|--|-----------|
| Bobbin | SQ2418/T375HF | Chang Chun Plastics Co Ltd | E59481 |
| Copper wire | SFT-UJEW-H | Ningbo Jintian New Material Co Ltd | E227047 |
| Core | SQ2418-H7K | Shangdong HenRui Magnet Technology Co.,Ltd | N/A |
| Epoxy | YZ-HC-1401C | YouZhi Electronic(DongGuan)Co.,Ltd | N/A |
| or Varnish | T4260LZ | Suzhou Taihu Electric Advanced Material Co., Ltd | E228349 |

***Weight:Approx 20.8g.

Tianchang Fuan Electronic Co Ltd
 www.fuantronics.net
 TEL: +86-550-7814888
 FAX: +86-550-7831133


 Tolerances unless otherwise specified:
 (.X)±0.50 (.XX)±0.25
 Unit of measurement: mm

Make: *Jinze*
 Checked: *BenSon*
 Approved: *AmSon*

DRAWING TITLE
 CCF2418V Current-compensated
 frame core double chokes

Material Number:

Customer P/N:
 Document/Rev: 2207308/00
 Specification Sheet: 1 of 1
 Date of Recognition: July./20/2022

| REV | DESCRIPTION | APPD | DATE |
|-----|-------------|------|------|
| | | | |