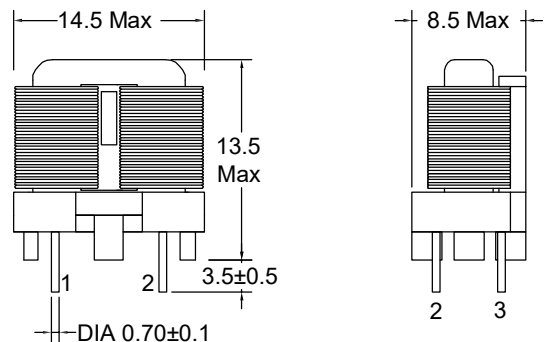
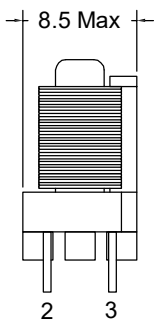


Outline Dimensions(Unit:mm)

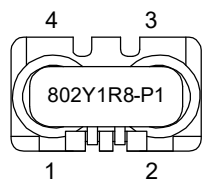
Electronical Schematic:



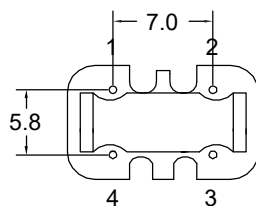
Orthographic view



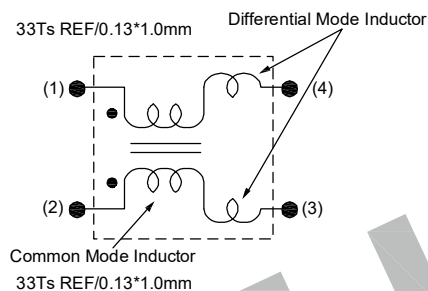
Side view



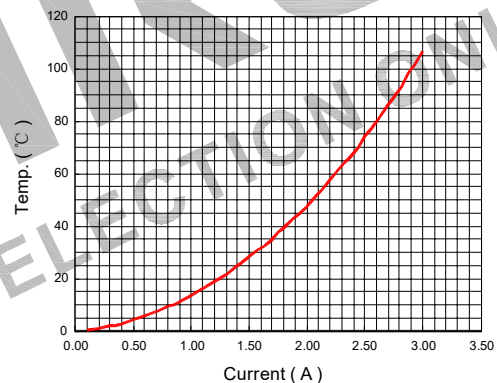
Top view



Bottom view



Current VS Temp.(Simulation test).



Electrical Characteristics(at 25°C)

Inductance : 8.0mH Min,at 1KHz,0.25V.  
 Inductance balance : L1-L2= 300uH Max,at 1KHz,0.25V.  
 Lstray: Lkg=32.0uH typ,at 1KHz,0.25V.  
 Rated current: 1.8Amps.  
 D.C.Resistance : 100 mohms Max.  
 Turns Ratio : Wdg1:Wdg2= 1:1±2%,at 20KHz,1V.  
 Hipot : Pri-Sec : 1500VAC/1mA/2Second.

List of UL Certificate:

Part Name	Mat'l Description	Supplier	UL Number
Base	SQ10/T375HF	Chang Chun Plastics Co Ltd	E59481
Copper wire	SFT-UEW-H	Ningbo Jintian New Material Co Ltd	E227047
Core	SQ10/10-H15K	ShanDong HengRui Magnet Technology Co Ltd	N/A
Epoxy or Varnish	YZ-HC-1401C T4260LZ	YouZhi Electronic(DongGuan)Co.,Ltd Suzhou Taihu Electric Advanced Material Co., Ltd	N/A E228349

\*\*\*Weight:Approx 2.6g.

Tianchang Fuan Electronic Co Ltd  
 www.fuantronics.net  
 TEL: +86-550-7814888  
 FAX: +86-550-7831133



Tolerances unless otherwise specified:  
 (.X)±0.50 (.XX)±0.25  
 Unit of measurement: mm

Drawn: *Jin*  
 Checked: *Ben Son*  
 Approved: *An Son*

**DRAWING TITLE**  
 CCF1010V Current-compensated  
 frame core double chokes  
 Material Number:

Customer P/N:  
 Document/Rev: 2207402/00  
 Specification Sheet: 1 of 1  
 Date of Recognition: July./12/2022

REV	DESCRIPTION	APPD	DATE