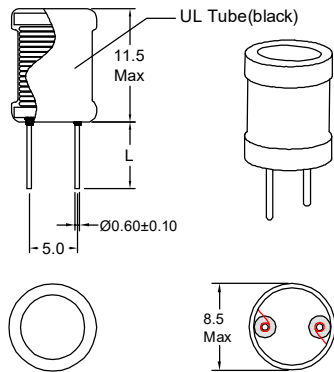


P/N: FALCHB0709-151K0R9-□

### Outline Dimensions(Unit:mm)



Pins Lead(L):

|     |          |
|-----|----------|
| -5  | 5.00±1.0 |
| -10 | 10.0±2.0 |
| -15 | 15.0±3.0 |

FALCHB0709-151K0R9-5  
 FALCHB0709-151K0R9-10  
 FALCHB0709-151K0R9-15

REMARK:

1. Products need thermal shrinkable sleeve.

### Electronical Schematic



### Electrical Characteristics(@25°C)

| Inductance<br>1KHz,0.3V | Lldc<br>1KHz,0.3V | Temp.<br>40°C | DC Resistor | Rated Current |
|-------------------------|-------------------|---------------|-------------|---------------|
| 150uH±10%               | >90%*LOA          | 900mA         | 280 mΩ Max  | 900mA         |

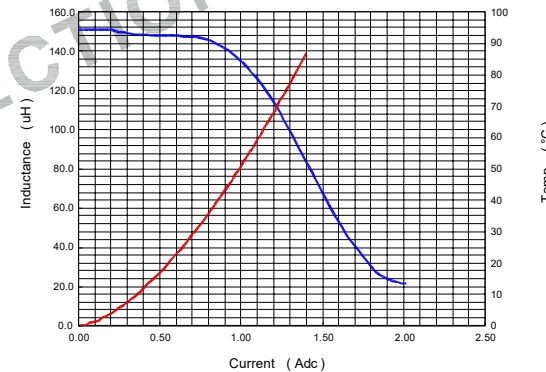
- \*\*\*Operating Temperature: -40°C~+125°C.  
(Temperature rise included)
- \*\*\*Storage Temperature : -40°C~+125°C.
- \*\*\*Storage Humidity:RH10%~70%.

### Recommended Soldering Temperature Graph.



|                  | Standard Profile    | Standard Profile    |
|------------------|---------------------|---------------------|
| Pre-heating      | 150~180°C,90s±30s   |                     |
| Heating          | above 220°C,30s-60s | above 240°C,30s Max |
| Peak temperature | 245°C±3°C           | 260°C,10s           |
| Cycle of reflow  | 2 times             | 2 times             |

### Simulation test curve:



### Material list

| Part Name | SPEC                         | Supplier                                | UL Number |
|-----------|------------------------------|---|-----------|
| Core      | DR2W7*9(B=3.0)-MgZn          | LiCheng Electronic(ZhangZhou) Co.,Ltd   | N/A       |
| Wire      | 2UEW-F/155°C                 | ShangDong Saint Electric Co.,Ltd        | E194410   |
| Tube      | Heat shrinkable casing/125°C | Changyuan Electronics (Shenzhen) Co Ltd | E180908   |

Tianchang Fuan Electronic Co Ltd  
 www.fuantronics.net  
 TEL: +86-550-7814888  
 FAX:+86-550-7831133



Tolerances unless otherwise specified:  
 (.X)±0.50 (.XX)±0.25  
 Unit of measurement: mm

Drawn: *June*  
 Checked: *Ben Son*  
 Approved: *Am Son*

**DRAWING TITLE**  
 DR2W7\*9 RADIAL FILTER CHOKE  
 Material Number:

Customer Name:  
 Document/Rev: 2211361/00  
 Specification Sheet: 1 of 1  
 Date of Recognition: Nov./20/2022

| REV | DESCRIPTION | APPD | DATE |
|-----|-------------|------|------|
|     |             |      |      |