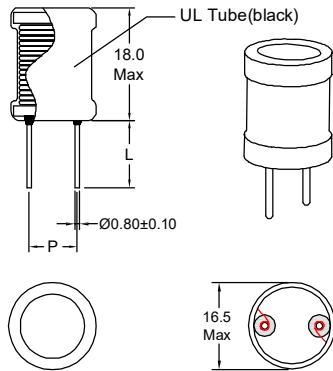


P/N: FALCHB1415-470K5R0-□

### Outline Dimensions(Unit:mm)



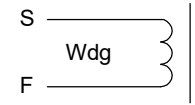
Pins Length(L):

-5	5.00±1.0
-10	10.0±2.0
-15	15.0±3.0
P1	7.5±0.50
P2	10.0±0.50

FALCHB1415-470K5R0-5P1(-5P2)  
 FALCHB1415-470K5R0-10P1(-10P2)  
 FALCHB1415-470K5R0-15P1(-15P2)

REMARK:  
 1. Products need thermal shrinkable sleeve.

### Electrical Schematic

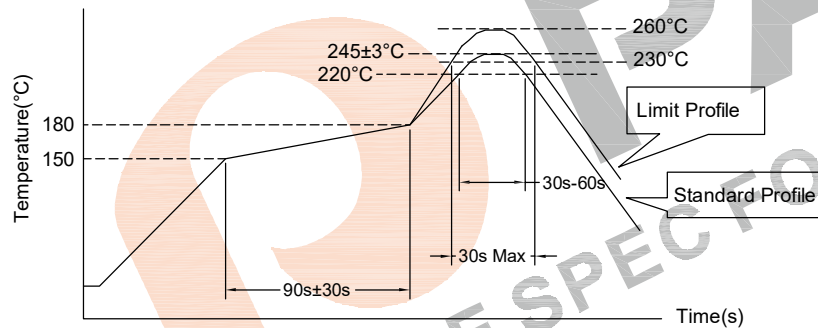


### Electrical Characteristics(@25°C)

Inductance 1KHz,0.3V	Lldc 1KHz,0.3V	Temp. 40°C	DC Resistor	Rated Current
47uH±10%	>90%*LOA	4800mA	38 mΩ Max	5000mA

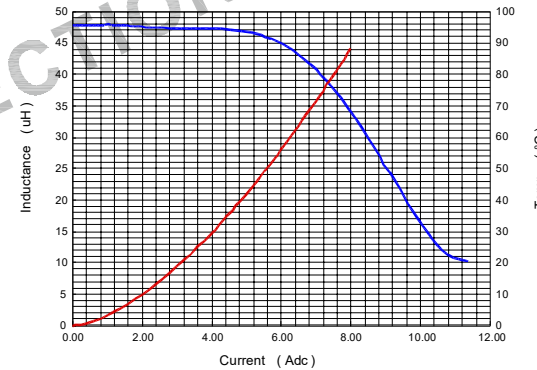
\*\*\*Operating Temperature: -40°C~+125°C.  
 (Temperature rise included)  
 \*\*\*Storage Temperature : -40°C~+125°C.  
 \*\*\*Storage Humidity:RH10%~70%.

### Recommended Soldering Temperature Graph.



	Standard Profile	Standard Profile
Pre-heating	150~180°C,90s±30s	
Heating	above 220°C,30s-60s	above 240°C,30s Max
Peak temperature	245°C±3°C	260°C,10s
Cycle of reflow	2 times	2 times

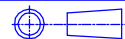
### Simulation test curve:



### Material list

Part Name	SPEC	Supplier	UL Number
Core	DR2W14*15(B=8)-MgZn	LiCheng Electronic(ZhangZhou) Co.,Ltd	N/A
Wire	2UEW-F/155°C	ShangDong Saint Electric Co.,Ltd	E194410
Tube	Heat shrinkable casing/125°C	Changyuan Electronics (Shenzhen) Co Ltd	E180908

Tianchang Fuan Electronic Co Ltd  
 www.fuantronics.net  
 TEL: +86-550-7814888  
 FAX:+86-550-7831133



Tolerances unless otherwise specified:  
 (.X)±0.50 (.XX)±0.25  
 Unit of measurement: mm

Drawn: *June*  
 Checked: *Ben Son*  
 Approved: *Am Son*

**DRAWING TITLE**  
 DR2W14\*15 RADIAL FILTER CHOKE  
 Material Number:

Customer Name:  
 Document/Rev: 2210144/00  
 Specification Sheet: 1 of 1  
 Date of Recognition: Oct./13/2022

REV	DESCRIPTION	APPD	DATE