



2022-V1.0-1220

# Specifications

---

**AC-DC Din Rail Mounted Power Supply**

**MIS-240 Series, 240W**

**FUAN ELECTRONICS**

No. 545 Museum Road  
Yangzhou, Jiangsu  
China 225009

Tel: 86 (514) 8279 1592

Fax: 86 (514) 8769 3159

**2022**

# AC-DC Din Rail Mountable Power Supply MIS-240 SERIES, SINGLE PHASE INPUT

## Features

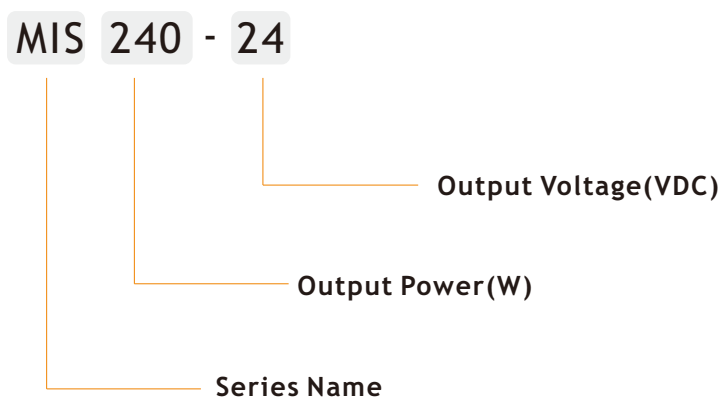
- 3 Year Warranty
- Universal Input 90~264Vac
- 100% Full Load Burn-in Test
- Cooling by Free Air Convection
- All Round Protections: Short Circuit, Over Voltage, Over Current, Over Temperature
- LED Indicator for DC Power On
- LED Indicator for DC Low
- Built-in DC OK relay contact
- 150% peak load capability
- Built-in active PFC function



## Applications

- ✓ Process Control
- ✓ Traffic & Transportation System
- ✓ Factory Automation
- ✓ Other Industrial Applications

## Electrical



## Electrical

Part Number	Nominal Input Voltage	Output Voltage	Output Current	Ripple (Typ.)	Efficiency		Certificate
					Min	Typ	
MIS240-24	90-264VAC	24V	10A	50mVp-p	91%	94%	CE, UL, CB, UKCA, TUV, SAA
MIS240-48	90-264VAC	48V	5A	50mVp-p	91%	94%	CE, UL, CB, UKCA, TUV, SAA

- NOTE:
1. The ripple values are measured at 20MHz of bandwidth by using a 12" twisted pair-wire terminated with 0.1uF & 47uF parallel capacitor under ambient temperature 25°C at rated input voltage and rated load;
  2. The efficiency values are measured under ambient temperature 25°C at rated input voltage and rated load.

**INPUT**

PARAMETER	CONDITIONS	MIN	TYP	MAX	UNITS
Input voltage		90		264	Vac
Input frequency		47		63	Hz
Power factor	Full load, Vin=115Vac Full load, Vin=230Vac		0.99 0.94		
Input current	Full load, Vin=115Vac Full load, Vin=230Vac		2.6 1.3		A A
Inrush current	Cold start, Vin=115Vac		33		A
	Cold start, Vin=230Vac		55		A
Inrush current	<p>1. This product is built in inrush limiting circuit to protect the circuit from surge current damages when the power is turned on. Malfunction can occur by repeating the input voltage on and off rapidly. Therefore, sufficient interval should be given between turning on and off the power;</p> <p>2. To avoid connecting the switch or fuse to input terminal(outside of the power supply), more consideration should be given when selecting the parts that can endure the inrush current</p>				

**OUTPUT**

PARAMETER	CONDITIONS	MIN	TYP	MAX	UNITS
Output voltage accuracy			±1		%
Output voltage adjustment range	MIS240-24		24-28		V
	MIS240-48		48-55		V
	Output voltage can be adjusted within above range by V-ADJ. variable resistance inside of the power supply. When output voltage exceeds the range, the power supply will be in failure or get into over voltage protection mode. To avoid the case that the output voltage is higher than rated voltage, output current should be used under rated current				
Minimum load				0	A
Line regulation	Vin from 100Vac to 240Vac		±0.5		%
Load regulation	Vout from min. to max.		±1		%
Turn-on delay time	Full load, Vin=115Vac		500		ms
Hold up time	Full load, Vin=115Vac		20		ms
Rise time	Full load, Vin=115/230Vac		60		ms

Protection

Short circuit	Shut off output voltage, the power supply will recover after the power is turned on again
Over voltage	MIS240-24: over voltage protection value 28-32V MIS240-48: over voltage protection value 60-65V
	(1) When output voltage exceeds above over voltage protection value or reversal voltage occurs, the protection will be started and the output voltage will be cut off in order to protect the power supply; (2) The power supply will recover after the power is turned on again
Over load	Normally works within 110 ~ 150% rated output power for more than 3 seconds and then shut down o/p voltage, re-powr on to recover
	>150% rated power, constant current limiting with auto-recovery within 2 seconds and may cause to shut down if over 2 seconds
Over temperature	Over temperature protection value: 95±5°C
	(1) When the ambient temperature exceeds above over temperature protection value, the protection will be started and the output voltage will be cut off in order to protect the power supply; (2) The power supply will recover after the power is turned on again

Environment

PARAMETER	CONDITIONS	MIN	TYP	MAX	UNITS
Ambient operating temperature	Startup at rated voltage	-30		+70	°C
Operating relative humidity	Non condensing	20		95	%
Storage temperature	Humidity 5 ~ 95% RH	-40		+85	°C
MTBF	1200K hrs min.				
DC-OK led	LED(Green) DC OK LED light will be ON when the power supply is properly operated				
DC-Low led	LED(Red) DC Low LED light will be ON: (1) when output voltage is below 85%(±2.5%) from the rated output voltage; (2) when get over voltage, over current, over temperature and short circuit fault				
Cooling	Free air convection				
Mounting method	Vertical				
Dimension(W x H x D)	60.0 x 130.0 x 125.0mm (2.36 x 5.12 x 4.92inch)				
Weight	1000g				
Packing	11pcs/12.5kg/0.7cuft/carton Carton size 620 x 260 x 175mm(LxWxH)				

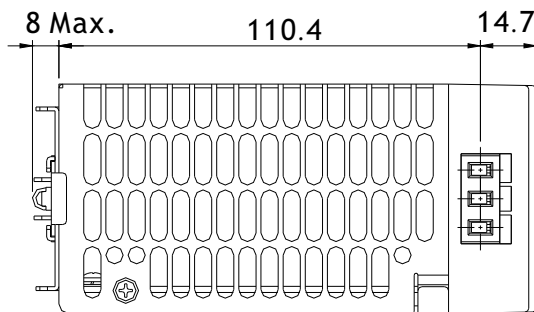
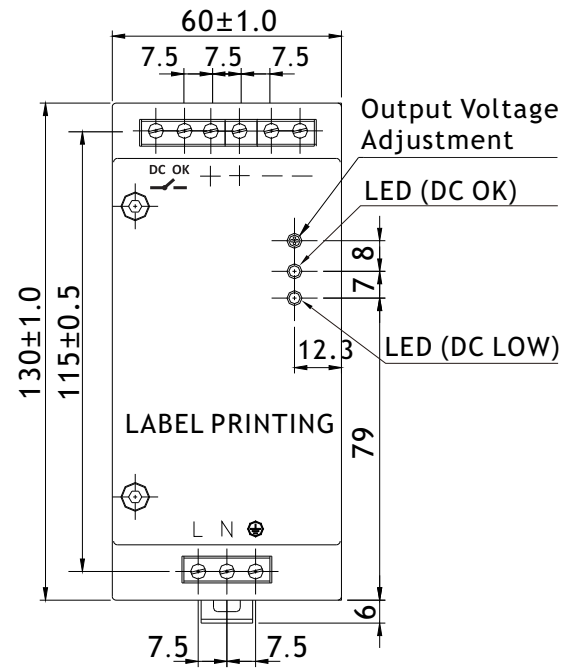
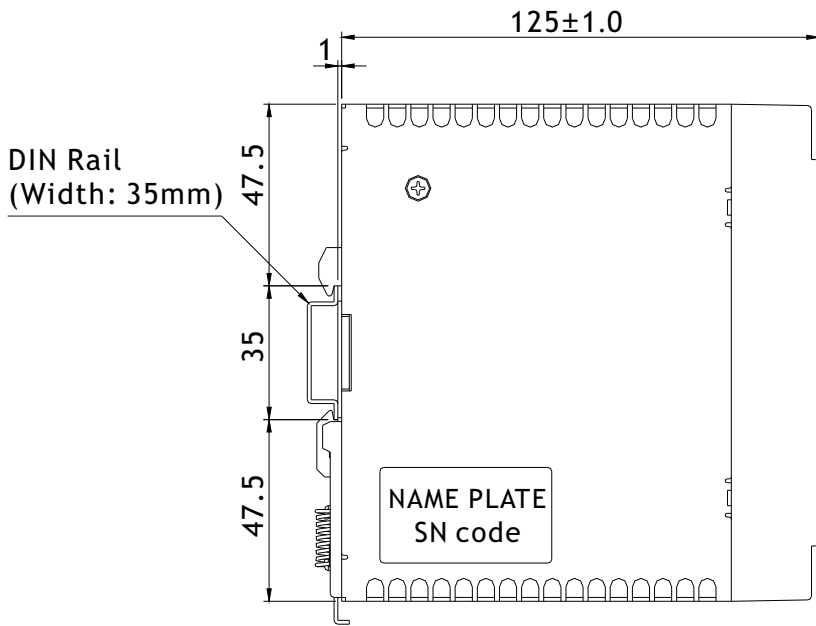
Safety/EMC

WITHSTAND VOLTAGE	I/P-O/P:3KVAC I/P-FG:2KVAC O/P-FG:0.5KVAC O/P-DC OK:0.5KVAC
Insulation resistance	I/P-O/P, I/P-FG, O/P-FG:>100M Ohms / 500VDC / 25 / 70% RH
SAFETY STANDARDS	UL508, TUV BS EN/EN62368-1, AS/NZS 62368.1, approved;(meet BS EN/EN60204-1)
EMC EMISSION	Compliance to BS EN/EN55032 (CISPR32), BS EN/EN61204-3 Class B, BS EN/EN61000-3-2, -3, EAC TP TC 020
EMC IMMUNITY	Compliance to EN61000-4-2,3,4,5,6,8,11, EN55035, EN61000-6-2 ( EN50082-2), BS EN/ BS EN/ BS EN/ BS EN/ BS EN/EN61204-3, heavy industry level, , SEMI F47 approved

NOTE: Unless otherwise specified, all the above parameters are measured at ambient temperature of 25°C , rated load and Vin=115/230Vac.

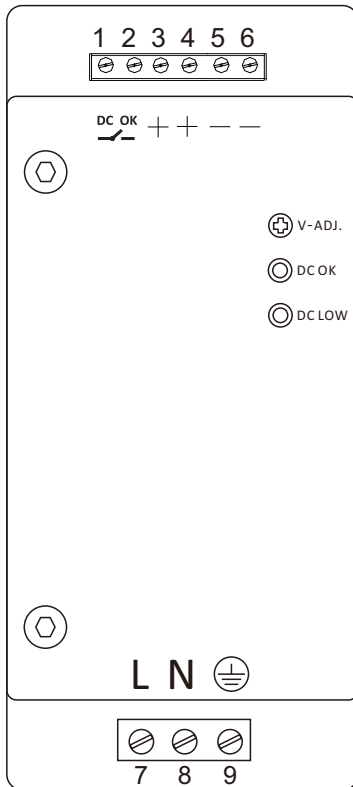


Mechanical



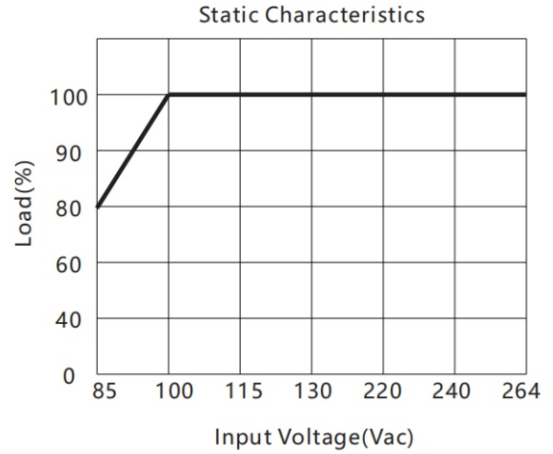
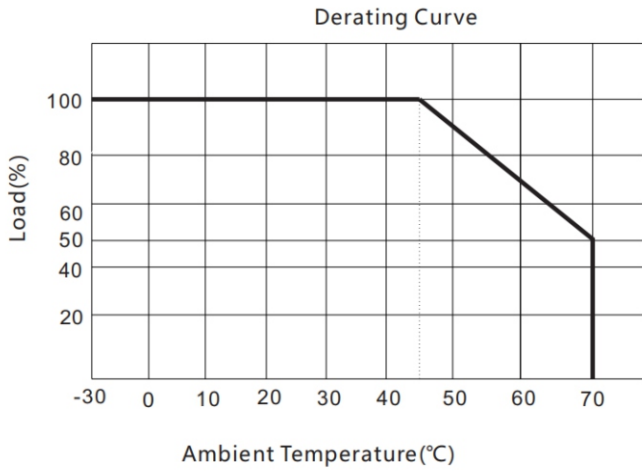
Unit: mm  
Tolerance: ±1.0

Mechanical

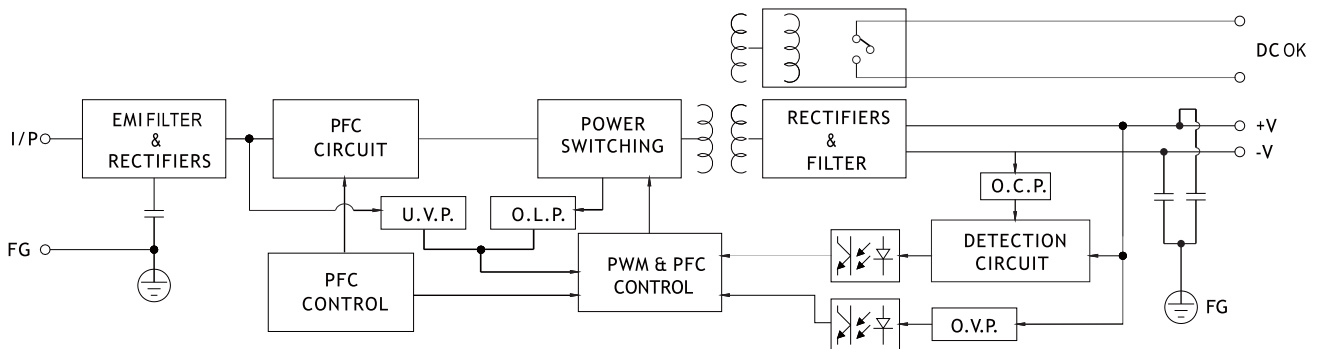


Marking	No.	Assignment
DC OK —/—	1	Relay Contact
	2	
+	3,4	DC(+) Output Terminal
-	5,6	DC(-) Output Terminal
L	7	AC(L) Input Terminal
N	8	AC(N) Input Terminal
⊕	9	AC Grounding Terminal
V-ADJ.	/	DC Output voltage adjustment trimmer
DC OK	/	DC Output OK indication LED(Green)
DC LOW	/	DC Output Low indication LED(Red)

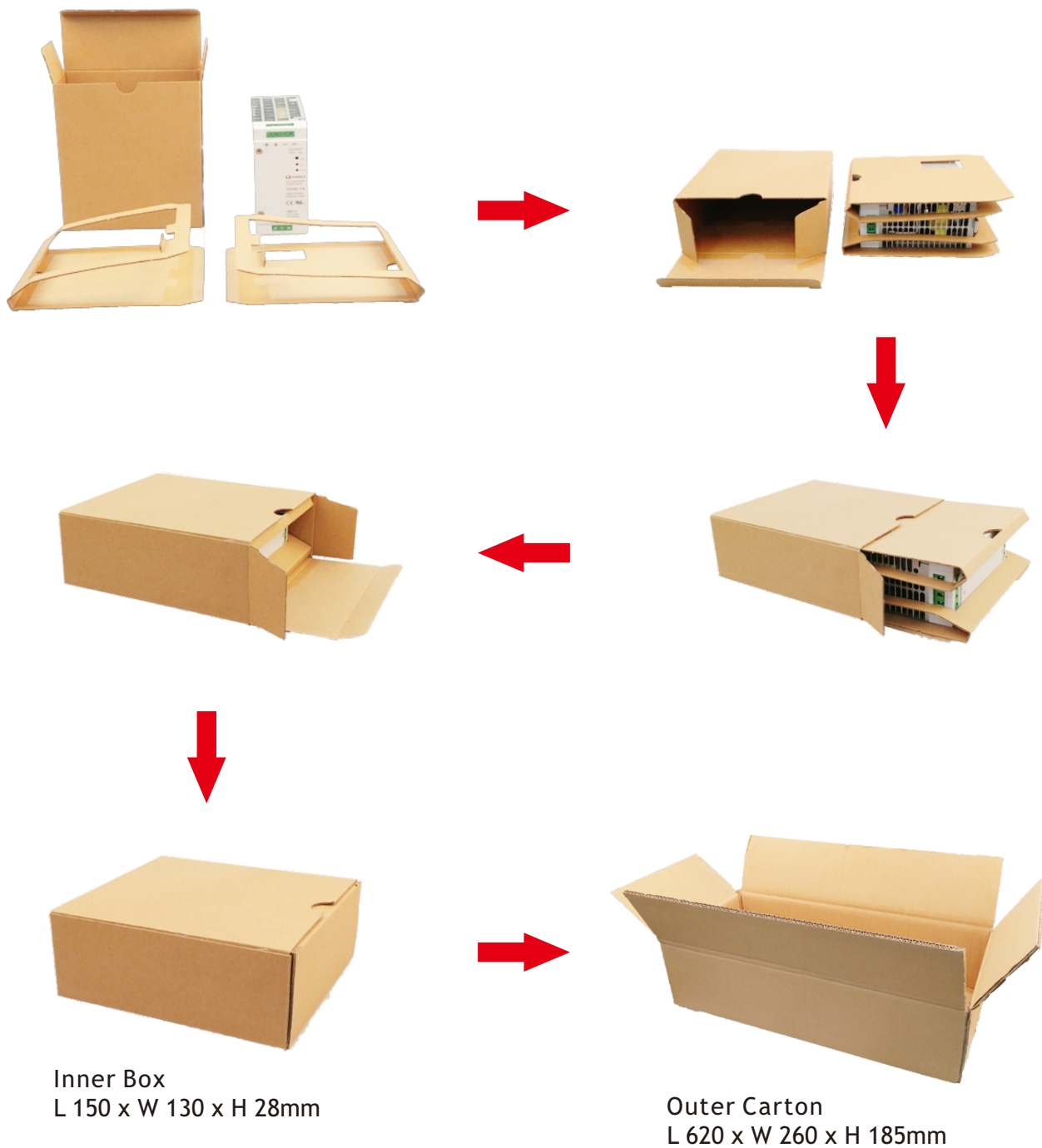
## Electrical Curve



## Block Diagram



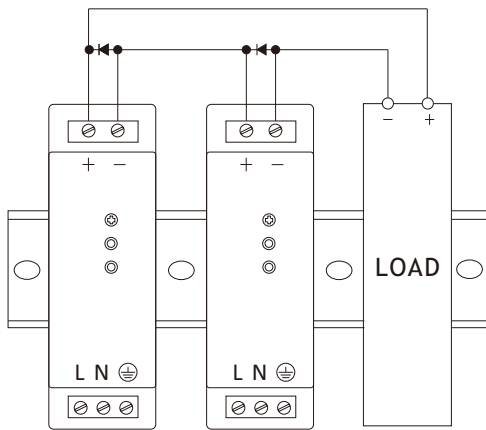
Package



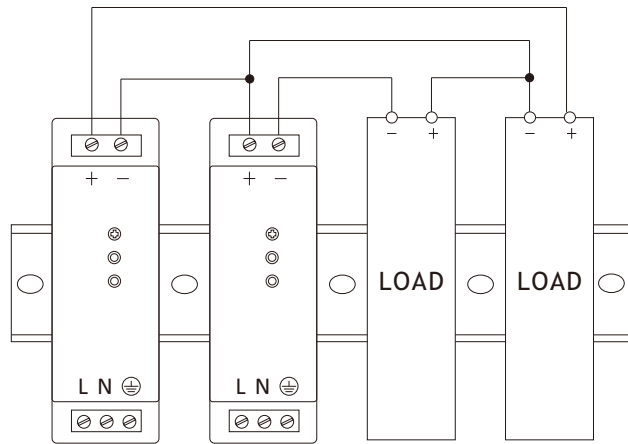
SERIES	QTY/BOX	QTY/CARTON	NET WEIGHT	GROSS WEIGHT	VOLUME
MIS-240	1 piece	11 boxes	11kg/carton	12.5kg/carton	0.7cuft/carton

## Application Note

### 1. Series Operation



Series Operation A



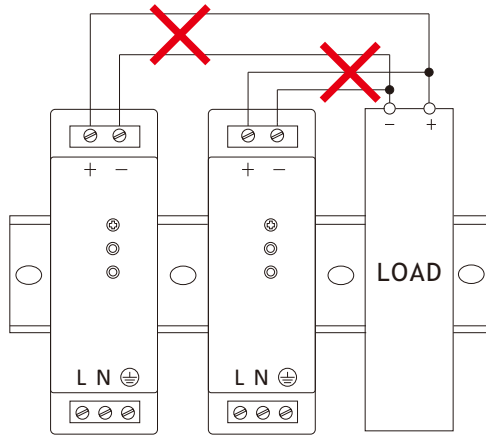
Series Operation B

**Note:**

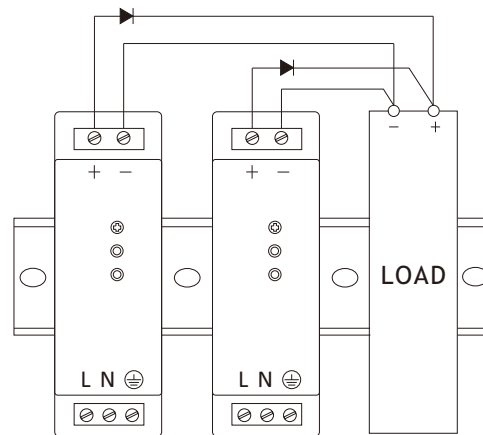
1. Series operation can be connected as shown in above;
2. Load current should be less than the current value of the product with the lowest output current specified at the product specification with the power supply at series connection.

Application Note

2. Parallel Operation



Parallel Operation A  
(Unable to use)



Parallel Operation B  
(Backup)

Note:

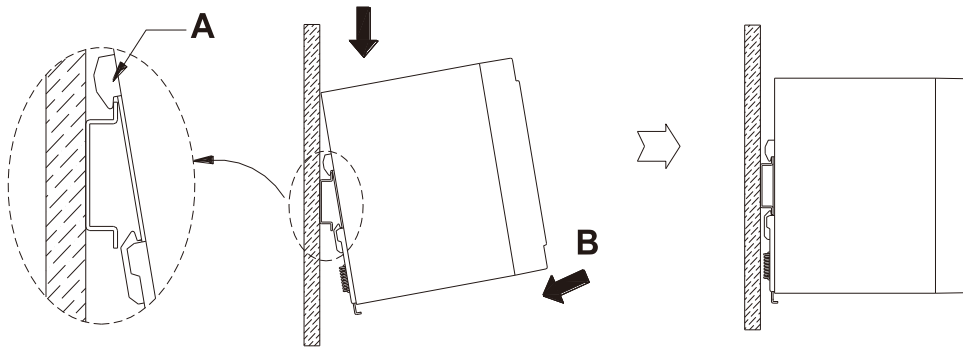
1. Parallel operation should be composed with the same products, while the connection should be as shown as “Parallel operation B”;
2. In parallel operation B, current capacity cannot be increased, while it should be used for backup only. Moreover, diode that is to be added during parallel operation should be selected after considering it’s voltage drop, output voltage and current capacity.

## Application Note

### 3. Mounting Method

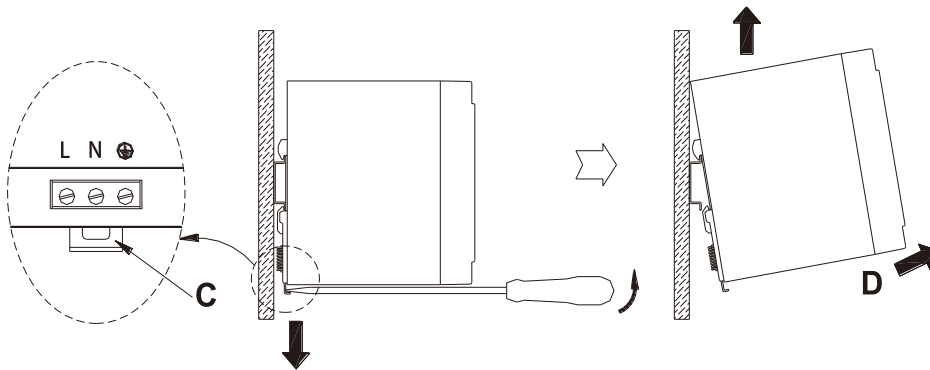
#### (1) How to fix

Firstly hang A part on the top of Rail as shown in below, then push the power supply into B direction to fix it.



#### (2) How to remove

Remove the power supply to D direction, pulling C part by using tools, such as a screwdriver, to downward direction.

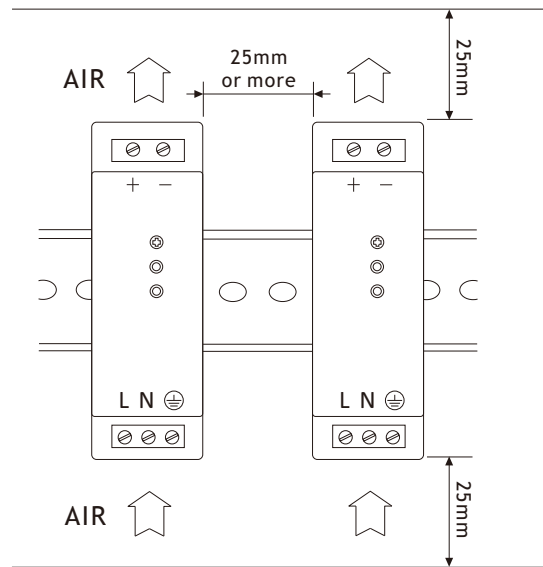


## Application Note

### 3. Mounting Method

#### (3) Mounting Spacing

Mounting method should be considered with airflow. Leave enough space between the units when several units are mounted together. Forced air cooling makes protection against heat better.





## Application Note

### 4. Cautions

- (1) Please confirm if the capacity of the product is suitable for your intended application before putting it in use;
- (2) Only the rated input voltage specified on the product should be used;
- (3) Only the wires with rated capacity should be connected to this product, as allowable voltage and current is varied according to each type of wire;
- (4) Ground terminal of the power supply must be grounded before use to prevent electric shock or electromagnetic interference;
- (5) Be cautious to keep the product clean as foreign matter near the input & output terminal or inside if the product could cause serious damages;
- (6) If a fuse installed in the product blows off, the product should experience damages not only to the fuse but also to other parts as well. Therefore, the product is to be required for maintenance work from customer service department as well as replacement of the fuse;
- (7) Due to constant leakage current flows within the product, extra caution should be made if multiple number of products are used connecting to each other as total leakage current could be amounted beyond the capacity;
- (8) Be sure to avoid any physical contact with the product since some of the parts inside of the product are being functioned at high voltage, which could cause serious electric shock;
- (9) For the purpose of safety as well as reliability of the product, please avoid using the product at the following sites:
  - A place near water or fire
  - A place with high room temperature and poor ventilation
  - A place with a presence of foreign subject or dust
  - A place near volatile or flammable compounds
  - A place with high humidity
  - A place vulnerable for vibration or shock
- (10) Do not inspect or repair the product while the power is applied;
- (11) Unauthorized modification should be avoided in order to prevent serious injury or physical loss due to any malfunction;
- (12) In case of power outage while in operation, be sure to turn off the power supply.

## Application Note

### 5. Warranty

- (1) Repair service will be provided for free upon any mechanical, technical or functional defects during the guaranteed warranty, however, any defects or malfunction due to international infliction or negligence by customers will be repaired at the customer's expense;
- (2) Guaranteed warranty of the product runs for 3 years, while appearance and specification of the product is subject for change without any prior notification for the purpose of quality improvement of the product.